

Model 930

KUNKLE

ASME Section IV 'Steam' Standard, 'HV', National Board Certified

Features

- **Extra high capacity** for industrial, commercial and residential low pressure steam heating boilers.
- **Large seat area/guide area ratio, along with disc pivot design** ensures optimum valve performance.
- **Lapped valve seats** for optimum performance.
- **Reversible lift lever** for 'pull-up' or 'pull-down' manual testing.
- **Every valve 100% tested/inspected** for pressure setting and leakage.
- **All adjustments are factory sealed** to prevent tampering or disassembly.

Applications

- Low pressure steam heating boilers ASME Code Section IV.

Pressure and Temperature Limits

15 psig only [1 barg]
250°F [121°C]



Model 930

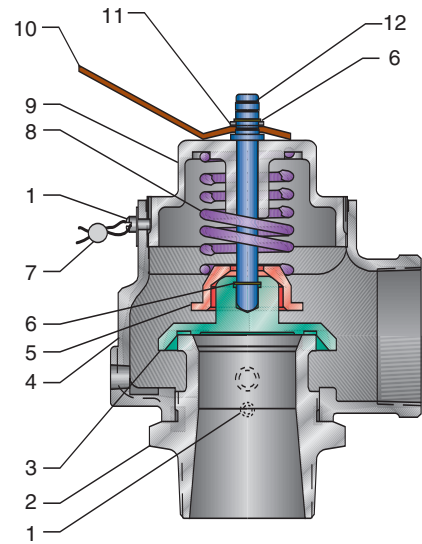
ASME Section IV 'Steam' Standard, 'HV', National Board Certified

Parts and Materials

No.	Part Name	Materials
1	Set Screw	SS
2	Nozzle	Bronze, B584 Alloy 84400
3	Disc	Bronze, B584 Alloy 84400
4	Body	Cast Iron, A126 Class A or B ¹
5	Step Spring	Brass B16
6	Snap Ring	SS, A151
7	Wire and Seal	SS wire and Lead seal
8	Spring	Steel, A231 Aluminum Coated
9	Compression Screw Guide	Bronze, B584 Alloy 84400
10	Lever	Steel
11	Lift Washer	Brass, B16
12	Stem	SS, A582-303

Note

1. Finish heat resistant gray primer paint.



Specifications¹

Valve Size	Dimensions, in			Weight lb	Orifice Area in ²	Capacity lb/h
	A	B	C			
2"	3 ¹ / ₈	3	7 ¹ / ₄	8	2.16	3161
2 ¹ / ₂ "	3 ³ / ₄	3 ¹ / ₂	8 ¹ / ₄	12	3.08	4497
3"	4 ¹ / ₄	4	8 ³ / ₄	19	4.75	6942

Dimensions are for reference only.

Note

1. ASME Section IV Steam (English, lb/h):
Set Pressure = 15 psig, Flow Coefficient = 0.818.

Model Number/Order Guide

Model Number Position: 1 2 3 4 5 6 7 8 9 10 11 12 13 14 15

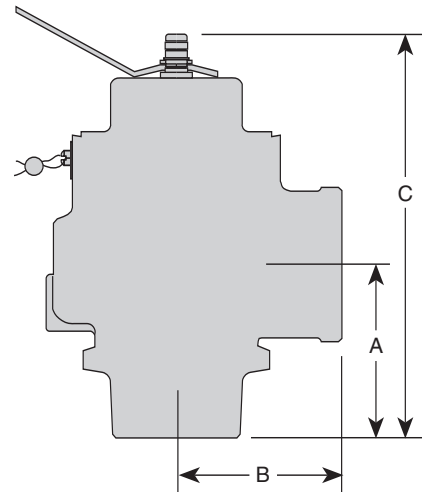
Example: 0 9 3 0 — H 0 1 — G C 0 0 1 5

Model

0930

Inlet Size

- H - 2-inch
- J - 2¹/₂-inch
- K - 3-inch



Facility Phone: 828-669-3700
www.kunklevalve.com