

Models 6252 and 6254

KUNKLE

ASME Section I Steam and ASME Section VIII, Air, Steam and Gas 'UV' National Board Certified. Model 6254 ASME Section IV 'HV', National Board Certified. PED Certified for Non-Hazardous Gas.

Features

- **Heavy duty construction** of high quality cast iron with SS semi-nozzle trim and disc.
- **Bolted bonnet design** for easy maintenance.
- **Seats lapped** to optical flatness.
- **Dual control rings** offer easy adjustability for precision opening with minimum preopen or simmer and exact blowdown control.
- **Heavy duty lift lever assembly.**
- **Every valve tested/inspected** for pressure setting, blowdown and leakage.
- **All adjustments are factory sealed** to prevent tampering or disassembly.

Model Descriptions

Model 6252: Cast iron, enclosed spring, SS trim.

Model 6254: Same as Model 6252 except certified for ASME Code Section IV - Low pressure steam heating boilers. Set 15 psig [1.0 barg] only. J through P orifice only.

Applications

- Steam Boilers and Generators.
- Pressure Reducing Stations.
- Air/Gas Compressors - reciprocating or rotary.
- Pressure Vessels - including tanks, receivers, intercoolers, oil/gas separators, lines.

Pressure and Temperature Limits

Model 6252:

10 to 250 psig [0.7 to 17.2 barg]
-20° to 406°F [-28° to 208°C]



tyco / Flow Control

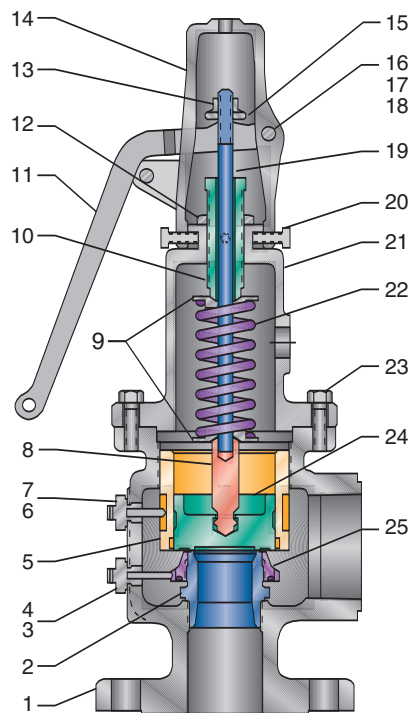
Total Flow Control Solutions™

Kunkle is either a trademark or registered trademark of Tyco International Services AG or its affiliates in the United States and/or other countries. All other brand names, product names, or trademarks belong to their respective holders.

Models 6252 and 6254

Parts and Materials

Models 6252 and 6254		
No.	Part Name	Material
1	Body	Cast Iron, A126 CL A or B
2	Semi Nozzle	SS, SA351 CF8M ⁵
3	Warn Ring Locking Screw	Brass, B16 H02
4	Warn Ring Locking Pin	SS, A582 TY 416
5	Guide	Bronze, B584 C84400
6	Guide Locking Screw	Brass, B16 H02
7	Guide Locking Pin	SS, A582 TY 416
8	Stem End	SS, A582 TY 416
9	Spring Step	Brass, B16 H02
10	Compression Screw	Brass, B16 H02
11	Lever	Iron, A536 65 45 12
12	Compression Screw Lock Nut	SS, SA479 316 SS
13	Lifting Disc Nut	Steel, A108 1018
14	Cap	Iron, A536 65 45 12
15	Lifting Disc	SS, SA479 316 SS
16	Lever Pin	Steel, A108 1018
17	Lever Pin Washer	Steel, A108 1018
18	Lever Cotter Pin	Steel, A108 1018
19	Stem	SS, A582 TY 416
20	Cap Set Screw	Steel, A108 1018
21	Bonnet	Cast Iron, A126 CL A or B
22	Spring	Steel, A229, Aluminum Coated ²
23	Bonnet Bolt	Steel, A193-B7/194-7
24	Disc	SS, SA479 316 SS ⁶
25	Warn Ring	Bronze, B584-C84400 ³
26	Gag Screw ^{4,1}	Steel, A108 1018 ¹
27	Wire Seal	Lead Seal, Aluminum Wire ¹



Notes

1. Not shown on assembly.
2. SS A313-631 for 'J' orifice.
3. Brass B16-H02 for 'J' orifice.
4. Optional.
5. SS-SA479-316 for 'N' and 'P' orifice.
6. SS-SA351-C8FM for 'Q' and 'R' orifice.

Models 6252 and 6254

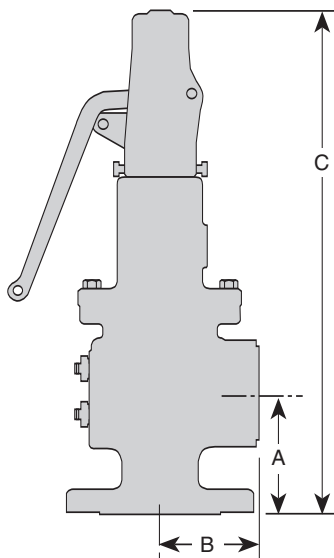
Dimensions

Models 6252 and 6254													
Model ¹	Orifice	Connections				Valve Dimensions						Approximate Weight	
		ANSI Standard, in [mm]		ANSI Standard, in [mm]		A		B		C		lb	[kg]
		Inlet ²	Outlet ³										
625*AJG	J	1½ [38.1] FPT	2½ [63.5] FPT	4¼ [108.0]	3½ [88.9]	18 [457.2]	40 [18.2]						
625*FJG	J	1½ [38.1] F	2½ [63.5] FPT	4¼ [108.0]	3½ [88.9]	18 [457.2]	40 [18.2]						
625*FJH	J	2 [50.8] F	2½ [63.5] FPT	4¼ [108.0]	3½ [88.9]	18 [457.2]	42 [19.1]						
625*FJJ	J	2½ [63.5] F	2½ [63.5] FPT	4¼ [108.0]	3½ [88.9]	18 [457.2]	45 [20.5]						
625*AKH	K	2 [50.8] FPT	3 [76.2] FPT	4⅝ [117.6]	4 [101.6]	18¼ [463.6]	43 [19.5]						
625*FKH	K	2 [50.8] F	3 [76.2] FPT	4⅝ [117.6]	4 [101.6]	18¼ [463.6]	52 [23.6]						
625*FKJ	K	2½ [63.5] F	3 [76.2] FPT	4⅝ [117.6]	4 [101.6]	18¼ [463.6]	52 [23.6]						
625*FKK	K	3 [76.2] F	3 [76.2] FPT	4⅝ [117.6]	4 [101.6]	18¼ [463.6]	55 [25.0]						
625*ALJ	L	2½ [63.5] FPT	4 [101.6] FPT	5½ [139.7]	4 ¹³ / ₁₆ [122.2]	21½ [546.1]	74 [33.6]						
625*FLJ	L	2½ [63.5] F	4 [101.6] FPT	5½ [139.7]	4 ¹³ / ₁₆ [122.2]	21½ [546.1]	82 [37.3]						
625*FLK	L	3 [76.2] F	4 [101.6] FPT	5½ [139.7]	4 ¹³ / ₁₆ [122.2]	21½ [546.1]	86 [39.1]						
625*FLM	L	4 [101.6] F	4 [101.6] FPT	5½ [139.7]	4 ¹³ / ₁₆ [122.2]	21½ [546.1]	97 [44.1]						
625*AMK	M	3 [76.2] FPT	4 [101.6] FPT	5⅝ [142.7]	5⅛ [130.0]	21 ¹¹ / ₁₆ [550.9]	90 [40.9]						
625*FMK	M	3 [76.2] F	4 [101.6] FPT	5⅝ [142.7]	5⅛ [130.0]	21 ¹¹ / ₁₆ [550.9]	100 [45.5]						
625*FMM	M	4 [101.6] F	4 [101.6] FPT	5⅝ [142.7]	5⅛ [130.0]	21 ¹¹ / ₁₆ [550.9]	107 [48.6]						
625*KNM	N	4 [101.6] F	6 [152.4] F	6¾ [171.5]	7¼ [184.2]	22½ [571.5]	197 [89.5]						
625*KPM	P	4 [101.6] F	6 [152.4] F	6¾ [171.5]	7¼ [184.2]	25 ¹³ / ₁₆ [655.6]	197 [89.5]						
625*KQP	Q	6 [152.4] F	8 [203.2] F	9¼ [234.9]	10 [254.0]	39⅛ [993.8]	493 [224.0]						
625*KRP	R	6 [152.4] F	8 [203.2] F	9¼ [234.9]	10 [254.0]	39⅛ [993.8]	507 [230.0]						

Dimensions are for reference only.

Notes

1. Replace asterisk with desired model number.
2. Inlet Flanges are ANSI B16. 1-250#.
3. Outlet Flanges are ANSI B16. 1-125#.



Models 6252 and 6254

Capacities for Model 6252

Non-code¹ and ASME Section VIII Air, (English, SCFM) Flow Coefficient = 0.878

Set Pressure (psig)	Orifice, Area in ²							
	J (1.414)	K (2.022)	L (3.138)	M (3.960)	N (4.774)	P (7.018)	Q (12.155)	R (17.600)
10	582	833	1292	1631	1966	3129	5005	7247
15	744	1064	1652	2084	2513	3694	6397	9263
20	858	1227	1904	2403	2897	4258	7375	10679
25	972	1390	2157	2722	3281	4823	8354	12096
30	1086	1552	2409	3040	3665	5388	9332	13512
35	1211	1731	2687	3391	4088	6009	10408	15070
40	1336	1910	2965	3741	4510	6630	11484	16628
45	1461	2089	3242	4092	4933	7252	12560	18186
50	1586	2268	3520	4442	5356	7873	13636	19744
55	1711	2447	3798	4793	5778	8494	14712	21302
60	1837	2626	4076	5143	6201	9115	15788	22860
65	1962	2805	4354	5494	6623	9737	16864	24418
70	2087	2984	4631	5845	7046	10358	17939	25976
75	2212	3163	4909	6195	7469	10979	19015	27534
80	2337	3342	5187	6546	7891	11600	20091	29092
90	2588	3700	5742	7247	8736	12843	22243	32208
100	2838	4058	6298	7948	9582	14085	24395	35324
110	3088	4416	6854	8649	10427	15328	26547	38440
120	3339	4774	7409	9350	11272	16570	28699	41555
130	3589	5132	7965	10051	12117	17813	30851	44671
140	3839	5490	8520	10752	12962	19055	33003	47787
150	4090	5848	9076	11453	13808	20298	35155	50903
160	4340	6206	9631	12154	14653	21540	37307	54019
170	4590	6564	10187	12855	15498	22783	39459	57135
180	4841	6922	10743	13557	16343	24025	41611	60251
190	5091	7280	11298	14258	17188	25268	43763	63367
200	5341	7638	11854	14959	18034	26510	45915	66483
210	5592	7996	12409	15660	18879	27753	48067	69599
220	5842	8354	12965	16361	19724	28995	50219	72715
230	6092	8712	13520	17062	20569	30238	52371	75831
240	6343	9070	14076	17763	21414	31480	54523	78947
250	6593	9428	14631	18464	22260	32723	56675	82063

Note

1. No code stamp or 'NB' on nameplate below 15 psig set.

Models 6252 and 6254

Capacities for Model 6252

Non-code ¹ and ASME Section VIII Air, [Metric, Nm ³ /h] Flow Coefficient = 0.878								
Set Pressure [barg]	Orifice, Area cm ²							
	J [9.135]	K [13.045]	L [20.245]	M [25.548]	N [30.581]	P [45.277]	Q [78.419]	R [113.548]
1.0	1148	1639	2543	3210	3842	5688	9852	14265
1.5	1445	2063	3201	4040	4836	7160	12400	17955
2.0	1710	2442	3790	4783	5725	8476	14680	21256
2.5	1999	2854	4429	5590	6691	9906	17157	24842
3.0	2291	3271	5077	6407	7668	11354	19664	28473
3.5	2583	3688	5724	7224	8646	12802	22172	32104
4.0	2875	4106	6371	8040	9624	14250	24680	35735
4.5	3167	4523	7019	8857	10602	15697	27187	39366
5.0	3459	4940	7666	9674	11580	17145	29695	42997
5.5	3751	5357	8314	10491	12558	18593	32203	46628
6.0	4044	5774	8961	11308	13536	20041	34710	50259
6.5	4336	6191	9608	12125	14514	21489	37218	53890
7.0	4628	6608	10256	12942	15492	22937	39726	57521
7.5	4920	7026	10903	13759	16469	24384	42233	61152
8.0	5212	7443	11551	14576	17447	25832	44741	64783
8.5	5504	7860	12198	15393	18425	27280	47249	68414
9.0	5796	8277	12845	16210	19403	28728	49756	72045
9.5	6088	8694	13493	17027	20381	30176	52264	75676
10.0	6381	9111	14140	17844	21359	31624	54772	79307
10.5	6673	9528	14787	18661	22337	33072	57279	82938
11.0	6965	9946	15435	19478	23315	34519	59787	86569
11.5	7257	10363	16082	20295	24293	35967	62294	90200
12.0	7549	10780	16730	21112	25270	37415	64802	93831
12.5	7841	11197	17377	21929	26248	38863	67310	97462
13.0	8133	11614	18024	22746	27226	40311	69817	101093
13.5	8426	12031	18672	23563	28204	41759	72325	104724
14.0	8718	12449	19319	24380	29182	43207	74833	108355
14.5	9010	12866	19967	25197	30160	44654	77340	111986
15.0	9302	13283	20614	26014	31138	46102	79848	115617
15.5	9594	13700	21261	26831	32116	47550	82356	119248
16.0	9886	14117	21909	27648	33094	48998	84863	122879
17.2	10587	15118	23462	29608	35440	52473	90882	131593

Note

1. No code stamp or 'NB' on nameplate below 1.1 barg set.

Models 6252 and 6254

Capacities for Model 6252

Non-code¹ and ASME Section VIII Steam, (English, lb/h) Flow Coefficient = 0.878

Set Pressure (psig)	Orifice, Area in ²							
	J (1.414)	K (2.022)	L (3.138)	M (3.960)	N (4.774)	P (7.018)	Q (12.155)	R (17.600)
10	1775	2538	3938	4970	5991	8807	15254	22087
15	2091	2990	4640	5855	7059	10377	17972	26023
20	2410	3447	5349	6751	8138	11963	20720	30002
25	2730	3904	6059	7646	9217	13550	23468	33981
30	3050	4361	6768	8541	10297	15137	26217	37961
35	3401	4864	7549	9526	11484	16882	29239	42338
40	3753	5367	8329	10511	12671	18627	32262	46715
45	4105	5870	9109	11496	13859	20373	35285	51092
50	4456	6373	9890	12480	15046	22118	38308	55469
55	4808	6875	10670	13465	16233	23863	41331	59846
60	5160	7378	11451	14450	17420	25609	44354	64223
65	5511	7881	12231	15435	18608	27354	47377	68600
70	5863	8384	13011	16420	19795	29099	50399	72977
75	6215	8887	13792	17405	20982	30845	53422	77354
80	6566	9390	14572	18389	22169	32590	56445	81731
90	7270	10395	16133	20359	24544	36081	62491	90485
100	7973	11401	17694	22329	26918	39571	68537	99239
110	8676	12407	19255	24298	29293	43062	74582	107993
120	9380	13413	20815	26268	31668	46553	80628	116747
130	10083	14418	22376	28238	34042	50043	86674	125501
140	10786	15424	23937	30207	36417	53534	92720	134255
150	11489	16430	25498	32177	38791	57025	98765	143009
160	12193	17435	27059	34147	41166	60515	104811	151763
170	12896	18441	28619	36116	43540	64006	110857	160517
180	13599	19447	30180	38086	45915	67497	116903	169271
190	14303	20453	31741	40056	48289	70987	122948	178025
200	15006	21458	33302	42025	50664	74478	128994	186779
210	15709	22464	34863	43995	53038	77969	135040	195533
220	16413	23470	36423	45965	55413	81459	141086	204287
230	17116	24475	37984	47934	57787	84950	147131	213041
240	17819	25481	39545	49904	60162	88441	153177	221795
250	18523	26487	41106	51873	62536	91931	159223	230549

Note

1. No code stamp or 'NB' on nameplate below 15 psig set.

Models 6252 and 6254

Capacities for Model 6252

Non-code ¹ and ASME Section VIII Steam, [Metric, kg/h] Flow Coefficient = 0.878								
Set Pressure [barg]	Orifice, Area cm ²							
	J [9.135]	K [13.045]	L [20.245]	M [25.548]	N [30.581]	P [45.277]	Q [78.419]	R [113.548]
1.0	945	1350	2095	2644	3164	4685	8115	11750
1.5	1145	1635	2538	3203	3834	5676	9831	14235
2.0	1356	1936	3005	3792	4539	6720	11638	16852
2.5	1585	2263	3512	4431	5304	7854	13602	19696
3.0	1816	2593	4025	5079	6080	9001	15590	22574
3.5	2048	2924	4538	5727	6855	10149	17578	25453
4.0	2279	3255	5051	6375	7630	11297	19567	28332
4.5	2511	3586	5565	7022	8406	12445	21555	31210
5.0	2743	3916	6078	7670	9181	13593	23543	34089
5.5	2974	4247	6591	8318	9956	14741	25531	36968
6.0	3206	4578	7104	8965	10731	15889	27519	39846
6.5	3437	4909	7618	9613	11507	17037	29507	42725
7.0	3669	5239	8131	10261	12282	18185	31495	45604
7.5	3901	5570	8644	10909	13057	19332	33483	48483
8.0	4132	5901	9157	11556	13833	20480	35471	51361
8.5	4364	6231	9671	12204	14608	21628	37459	54240
9.0	4595	6562	10184	12852	15383	22776	39448	57119
9.5	4827	6893	10697	13499	16158	23924	41436	59997
10.0	5059	7224	11211	14147	16934	25072	43424	62876
10.5	5290	7554	11724	14795	17709	26220	45412	65755
11.0	5522	7885	12237	15443	18484	27368	47400	68633
11.5	5753	8216	12750	16090	19260	28515	49388	71512
12.0	5985	8546	13264	16738	20035	29663	51376	74391
12.5	6217	8877	13777	17386	20810	30811	53364	77270
13.0	6448	9208	14290	18033	21585	31959	55352	80148
13.5	6680	9539	14803	18681	22361	33107	57341	83027
14.0	6912	9869	15317	19329	23136	34255	59329	85906
14.5	7143	10200	15830	19976	23911	35403	61317	88784
15.0	7375	10531	16343	20624	24687	36551	63305	91663
15.5	7606	10862	16856	21272	25462	37699	65293	94542
16.0	7838	11192	17370	21920	26237	38846	67281	97420
17.2	8394	11986	18601	23474	28098	41601	72052	104329

Note

1. No code stamp or 'NB' on nameplate below 1.1 barg set.

Models 6252 and 6254

Capacities for Model 6252

Non-code and ASME Section I Steam, (English, lb/h) Flow Coefficient = 0.878

Set Pressure (psig)	Orifice, Area in ²							
	J (1.414)	K (2.022)	L (3.138)	M (3.960)	N (4.774)	P (7.018)	Q (12.155)	R (17.600)
15	2025	2895	4494	5671	6836	10050	17406	25203
20	2344	3352	5202	6565	7915	11635	20151	29178
25	2664	3809	5911	7460	8993	13220	22897	33153
30	2983	4266	6620	8354	10071	14805	25642	37129
35	3302	4722	7329	9248	11149	16390	28387	41104
40	3622	5179	8037	10143	12228	17975	31133	45079
45	3941	5636	8746	11037	13306	19560	33878	49054
50	4260	6092	9455	11932	14384	21146	36624	53030
55	4580	6549	10164	12826	15463	22731	39369	57005
60	4899	7006	10872	13721	16541	24316	42114	60980
65	5219	7462	11581	14615	17619	25901	44860	64955
70	5544	7928	12304	15527	18719	27518	47660	69010
75	5873	8399	13034	16449	19830	29150	50488	73150
80	6202	8869	13764	17370	20940	30783	53316	77199
90	6860	9810	15224	19212	23161	34048	58971	85388
100	7518	10751	16684	21055	25383	37314	64627	93577
110	8176	11692	18144	22897	27604	40579	70282	101766
120	8834	12632	19604	24740	29825	43845	75938	109955
130	9492	13573	21065	26582	32047	47110	81593	118144
140	10150	14514	22525	28425	34268	50375	87249	126333
150	10808	15455	23985	30267	36489	53641	92904	134522
160	11466	16396	25445	32110	38710	56906	98560	142711
170	12123	17336	26905	33952	40932	60171	104215	150900
180	12781	18277	28365	35795	43153	63437	109871	159089
190	13439	19218	29825	37638	45374	66702	115526	167278
200	14097	20159	31285	39480	47595	69967	121182	175467
210	14755	21100	32745	41323	49817	73233	126837	183656
220	15413	22040	34205	43165	52038	76498	132493	191845
230	16071	22981	35665	45008	54259	79763	138148	200034
240	16729	23922	37125	46850	56480	83029	143804	208223
250	17387	24863	38585	48693	58702	86294	149459	216412

Models 6252 and 6254

Capacities for Model 6252

Non-code and ASME Section I Steam, [Metric, kg/h] Flow Coefficient = 0.878								
Set Pressure [barg]	Orifice, Area cm ²							
	J [9.135]	K [13.045]	L [20.245]	M [25.548]	N [30.581]	P [45.277]	Q [78.419]	R [113.548]
1.0	905	1292	2005	2530	3029	4485	7767	11247
1.5	1115	1592	2471	3119	3733	5527	9573	13861
2.0	1326	1893	2938	3707	4437	6570	11378	16476
2.5	1536	2193	3404	4295	5141	7612	13184	19090
3.0	1746	2494	3870	4884	5845	8655	14990	21705
3.5	1957	2794	4336	5472	6550	9697	16795	24319
4.0	2167	3094	4802	6060	7254	10740	18601	26934
4.5	2377	3395	5268	6648	7958	11782	20407	29548
5.0	2593	3702	5746	7251	8679	12850	22256	32226
5.5	2809	4012	6226	7857	9404	13924	24116	34919
6.0	3026	4321	6706	8463	10130	14998	25976	37612
6.5	3243	4631	7186	9069	10855	16072	27836	40305
7.0	3459	4940	7666	9675	11580	17146	29696	42998
7.5	3676	5249	8147	10281	12305	18219	31555	45691
8.0	3893	5559	8627	10886	13031	19293	33415	48384
8.5	4109	5868	9107	11492	13756	20367	35275	51077
9.0	4326	6177	9587	12098	14481	21441	37135	53770
9.5	4543	6487	10067	12704	15206	22515	38995	56463
10.0	4759	6796	10547	13310	15932	23588	40855	59156
10.5	4976	7106	11027	13916	16657	24662	42714	61849
11.0	5193	7415	11508	14522	17382	25736	44574	64542
11.5	5409	7724	11988	15128	18108	26810	46434	67235
12.0	5626	8034	12468	15734	18833	27884	48294	69928
12.5	5843	8343	12948	16340	19558	28957	50154	72621
13.0	6059	8652	13428	16946	20283	30031	52013	75314
13.5	6276	8962	13908	17551	21009	31105	53873	78006
14.0	6493	9271	14388	18157	21734	32179	55733	80699
14.5	6709	9581	14868	18763	22459	33253	57593	83392
15.0	6926	9890	15349	19369	23184	34327	59453	86085
15.5	7143	10199	15829	19975	23910	35400	61312	88778
16.0	7359	10509	16309	20581	24635	36474	63172	91471
17.2	7879	11251	17461	22035	26375	39051	67636	97934

Models 6252 and 6254

Capacities for Model 6254

ASME Section IV Steam, (lb/h) [kg/h]

Set Pressure (psig) [barg]	Orifice, Area in ² [cm ²]					
	J	K	L	M	N	P
	1.414	2.022	3.138	3.960	4.774	7.018
	[9.123]	[13.045]	[20.245]	[25.548]	[30.800]	[45.277]
15	2215	3168	4916	6204	7479	10994
[1.0]	[1003]	[1435]	[2227]	[2810]	[3388]	[4980]

Order Information - Models 6252 and 6254

Model Number/Order Guide

Model Number Position	1	2	3	4	5	6	7	8	9	10	11	12	13	14	15	16
------------------------------	---	---	---	---	---	---	---	---	---	----	----	----	----	----	----	----

Example 6 2 5 2 F L K 0 1 - A S 0 0 2 0

Model

6252
6254

Connection Model

A - Female x Female
F - 250# Flange x Female
K - 250# Flange x 125# Flange

Orifice

J N
K P
L Q
M R

Inlet Size

G - 1 1/2-inch [38.1] K - 3-inch [76.2]
H - 2-inch [50.8] M - 4-inch [101.6]
J - 2 1/2-inch [63.5] P - 6-inch [152.4]

Variation (01 through 99)

01 - Plain lever
02 - Plain lever with gag

Design Revision

Indicates non-interchangeable revision.
Dash (-) if original design.

Valve Service

A - Steam ASME Section I (Model 6252 only)
G - Steam ASME Section IV (Model 6254 (15 psig) [1.0 barg] only)
K - Air ASME Section VIII (Model 6252 only)
L - Steam ASME Section VIII (Model 6252 only)
N - Non-code Air/Gas
P - Non-code Steam

Spring Material

S - Steel (plated)

Set Pressure

Model 6252 - 10 psig [0.34 barg] (0005) through 250 psig [17.2 barg] (0250)
Model 6254 - 15 psig [1.0 barg] (0015)

Models 6252 and 6254

Facility Phone: 828-669-3700
www.kunklevalve.com