

Model 338 Blower Relief Valve

KUNKLE

Model 338 is a non-code Safety Valve for air service providing modulated lift and reseal action

Features

- Large nozzle design provides high capacity
- Soft seat design for optimum shut-off
- Lightweight construction
- Valve modulates specifically for bulk transportation blower applications
- Hardcoat anodized aluminum bonnet for corrosion protection
- Tamper resistant cap protects factory setting
- 100% factory tested for pressure setting, blowdown and leakage

Applications

- Protection of low to medium pressure, high volume blowers
- Bulk hauling trailers/equipment

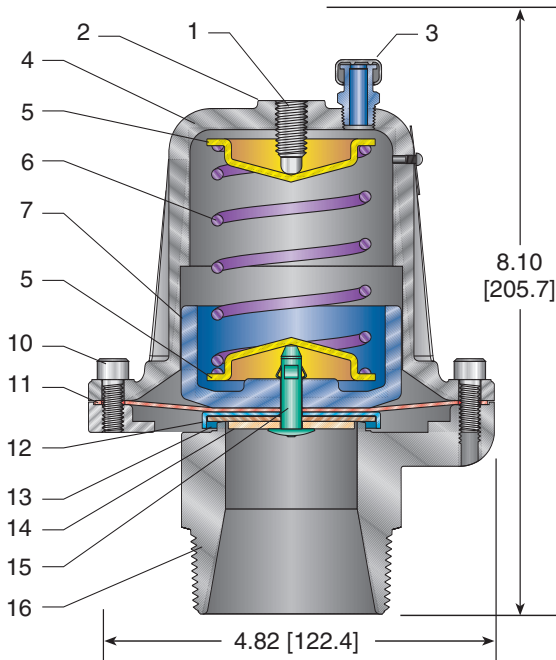
Pressure and Temperature Limits

5 to 30 psig [0.69 to 2.06 barg]
-30°F to 400°F [-34°C to 204°C]



Model 338 Blower Relief Valve

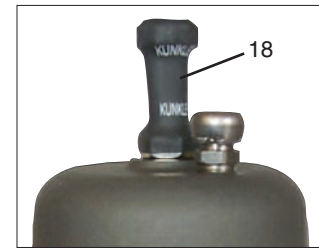
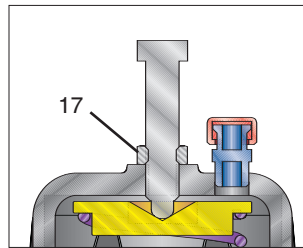
Parts and Materials



No.	Part Name	Material	Material Specification
1	Adjustment Screw	SS	SS 18-8
2	Anti-tamper Seal	Nylon	Commercial
3	Vent	CS	AISI 12L14
4	Bonnet	Aluminum	356-T6 w/anodize
5	Spring Step	Aluminum	ASTM B209-5052-H32
6	Spring	SS	17-7 or 302
7	Guide	Aluminum	356-T6 w/anodize
10	Screw	SS	SS 18-8
11	Diaphragm	Silicone	AMS-3320
12	Disc Holder	Brass	ASTM B36 Alloy 260
13	Seat Disc	Silicone	AMS-3320
14	Washer	Aluminum	6061-T6
15	Rivet, Bulb-Tite	Aluminum	Commercial
16	Nozzle	Aluminum	ASTM B26-356-T6
17	Lock Nut	SS	SS 18-8
18	Anti-tamper Sleeve	Polyolefin	VersaFit 3/4-0-FSP

Specifications		
End Connection	Model	Weight
NPT	338	lbs. [kgs]
2.0 [50.8]		2.7 [1.23]

Flow Capacity (male threaded)	
Set (psig)	Flow at Full Lift (SCFM)
5	271
7	366
9	461
12	589
15	761
18	907
20	963
23	1125
25	1220
27	1315
30	1458



Optional - Set Screw with Tamper-Evident Heat Shrink Sleeve that provides protection of factory setting

Model Number/Order Guide

Example	0	3	3	8	-	H	0	1	-	N	M	0	0	1	5
---------	---	---	---	---	---	---	---	---	---	---	---	---	---	---	---

Variation
 01 - Male Inlet, with cut-off screw
 02 - Male Inlet, with tamper-evident sleeve

Set Pressure
 5 psig (0005) through 30 psig (0030)

Facility Phone: 828-669-3700
www.kunklevalve.com