

## Model 299

**KUNKLE****Drip Pan Elbow****Features**

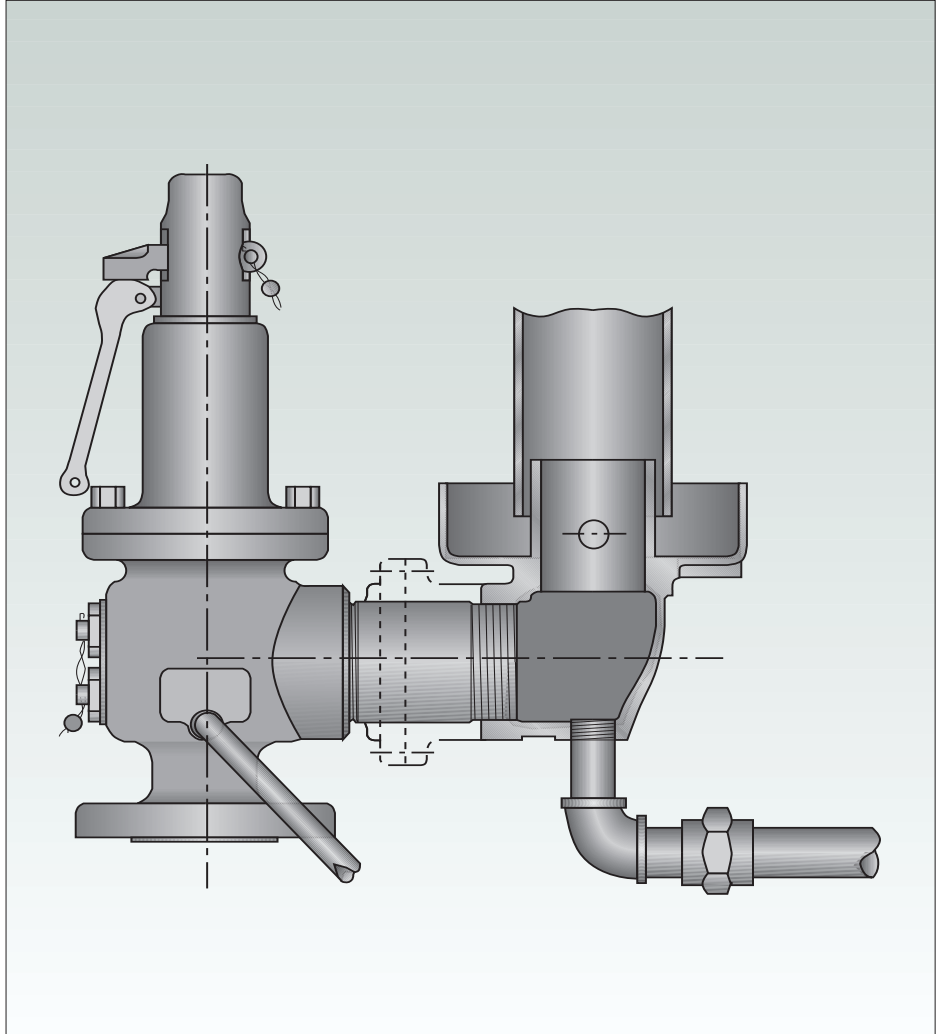
The above illustration shows a discharge elbow and drip pan unit attached to a safety valve with female NPT outlet.

For safety valves with flanged outlets – 2-inch to 4-inch – use companion flange, short nipple and drip pan elbow, all same size as valve outlet. 6- and 8-inch elbows have integral 125# ANSI B16.1 Flange.

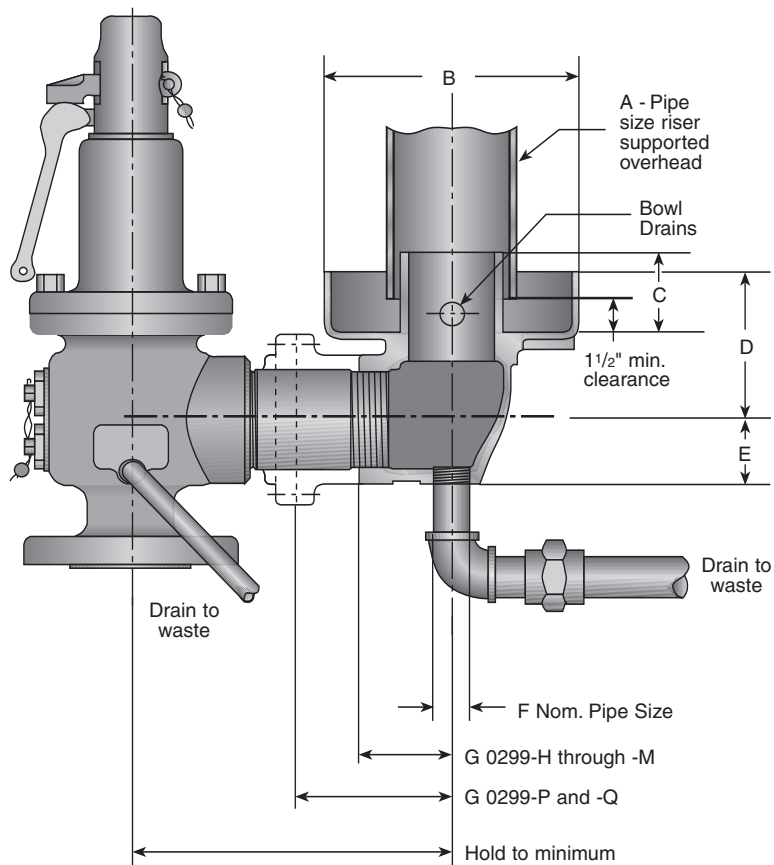
Important - Length of discharge piping must be kept to a minimum. For design considerations see articles: "Steam Flow Through Safety Valve Vent Pipes" by H.E. Brandmaier and M.E. Knebel (Dec. 1975) and "Analysis of Power Plant Safety and Relief Valve Vent Stacks" by G.S. Liao (Nov. 1974) available through ASME Publications.

**Applications**

Recommended installation on outlet/discharge pipe for safety valves. Used on steam service.



## Model 299



### Dimensions, in

Model	Size <sup>1</sup>	Dimensions, in							Weight (lb)
		A	B	C	D	E	F	G	
0299-H	2"	3	6 <sup>1</sup> / <sub>4</sub>	2 <sup>3</sup> / <sub>8</sub>	3 <sup>5</sup> / <sub>8</sub>	1 <sup>5</sup> / <sub>8</sub>	1/2 NPT	2 <sup>1</sup> / <sub>4</sub>	7 <sup>1</sup> / <sub>2</sub>
0299-J	2 <sup>1</sup> / <sub>2</sub> "	3 <sup>1</sup> / <sub>2</sub> or 4	7 <sup>3</sup> / <sub>8</sub>	3	4 <sup>5</sup> / <sub>16</sub>	1 <sup>15</sup> / <sub>16</sub>	3/4 NPT	2 <sup>11</sup> / <sub>16</sub>	14
0299-K	3"	4	8	3 <sup>1</sup> / <sub>2</sub>	4 <sup>7</sup> / <sub>8</sub>	2 <sup>5</sup> / <sub>16</sub>	3/4 NPT	3 <sup>1</sup> / <sub>8</sub>	19
0299-M	4"	6	9 <sup>5</sup> / <sub>8</sub>	4 <sup>1</sup> / <sub>2</sub>	5 <sup>3</sup> / <sub>4</sub>	2 <sup>7</sup> / <sub>8</sub>	3/4 NPT	3 <sup>3</sup> / <sub>4</sub>	36
0299-P	6"	8	12 <sup>3</sup> / <sub>4</sub>	6 <sup>5</sup> / <sub>8</sub>	7 <sup>9</sup> / <sub>16</sub>	4 <sup>3</sup> / <sub>16</sub>	3/4 NPT	8	98
0299-Q	8"	10	16 <sup>1</sup> / <sub>2</sub>	7 <sup>1</sup> / <sub>2</sub>	9 <sup>9</sup> / <sub>16</sub>	5 <sup>3</sup> / <sub>8</sub>	1 NPT	10 <sup>3</sup> / <sub>4</sub>	180

Dimensions are for reference only.

### Note

1. Safety valve outlet and drip pan elbow size.

Facility Phone: 828-669-3700

[www.kunklevalve.com](http://www.kunklevalve.com)